

## Cross-Cutting System KSS 400 - GB 110 V up to machine no. 1014791

ref.no.: 916522\_1014791

EAN:

- ▶ boxed
- ▶ Attention: Just spare parts are still available



### Technical data

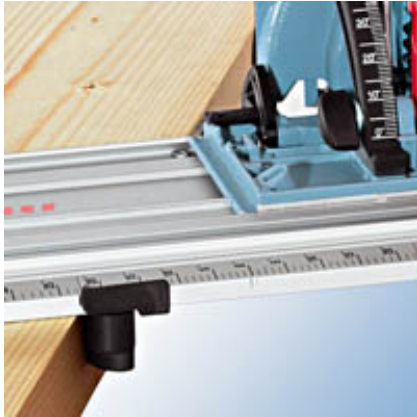
Cutting depth at 0° with guide track	0 - 1 15/16 Inch
Cutting depth 45° with track	0 - 1 1/2 Inch
Cutting depth at 0° without guide track	0 - 2 13/16 Inch
Tilt range	0 - 45 °
Cutting length	15 3/4 Inch
Angle cuts	-60 - +60 °
Nominal No. of strokes – no load	5200 1/min
Nominal power input	1.5 hp
Weight with guide rail	11.5 lbs
Universal motor	110 V

### Delivery specification

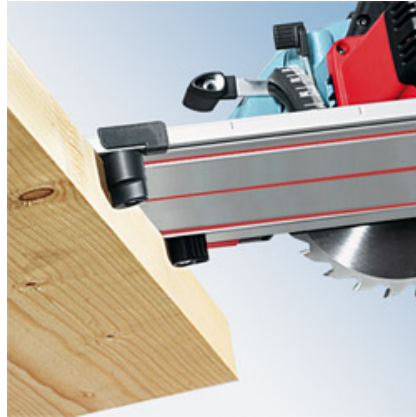
- 
- 1 TCT saw blade 160 x 1.2/1.8 x 20 mm (6 5/16 in.)/ 32 teeth, for fine cuts in wood; Ref. 092552
  - 1 Guide track 400
  - 1 Guide bow; Ref. 203208
  - 1 Hose connector for chip extraction; Ref. No. 200042
  - 1 Allen key 5 mm; Ref. No. 093034
  - 1 Mains cable 4 m - GB 110 V; Ref. No. 087803

## examples for usage

---



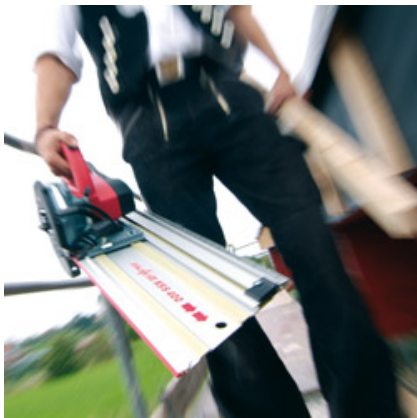
The highly graduated scale permits very precise angle setting.



The smart stop and adjustable fence allow the saw to be used for angle cuts from 0° to 60° in either direction.



The KSS 400 can be detached quickly and easily from the guide track for operation with an existing guide track.



One-stop solution: in view of the saw's connection to the guide track, this is the world's first and only single-handed cross-cutting system.

## Applications

---

- ▶ Cross cuts with guide
- ▶ Rip cuts and cross-cutting
- ▶ Plunge cuts and recesses
- ▶ Compatible materials include board materials, doors, worktops, parquet and laminate flooring, cladding

## Advantages

---

- ▶ The quick-release catch enables you to detach the machine from the rail in a single, quick action. The saw can then be used as a separate portable circular unit with all the functionality of the MAFELL KSP series.
- ▶ Thanks to the new and unique tilting system, a cutting depth of 49.5 mm (1 15/16 in.) is always available in the angle range from 0° to 22.5°.
- ▶ The rubberized underside ensures a good grip on the work and avoids damage to the surface.

## Description

---

Forget everything you know about portable circular saws!

The MAFELL KSS 400 cross-cutting system is completely different. Its novel feature is the unique guide track that not only guides the portable circular saw, but is also connected to it to form a single unit: the KSS 400 cross-cutting system.

It's clearly a cut above the rest. The KSS 400 cross-cutting system enables you to saw in a standing position and without a rest, with angular precision and with only one hand on the machine. Its handling is unbeatable: thanks to magnesium die-cast components, the entire system weighs only 5.2 kg (11.5 lbs).

Once the cut has been executed, the saw automatically returns to the starting position. The maximum cutting length, exploiting the full cutting depth, is 400 mm (15 3/4 in.).

The pivot point of the KSS 400 is directly aligned with the splinter guard, so that only one marking pointer is required irrespective of the angle setting, with or without a rail. The splinter guard is embedded in the rail profile and can be changed quickly and simply as required.

## Accessories / Tools



**Lever clamp F-SZ 180MM**  
2 pieces, for fixing guide rail to workpiece



**Guide rail F 110**  
1.1 m (3.6 ft) long



**Guide rail F 160**  
1.6 m (5.2 ft) long



**Guide rail F 210**  
2,1 m (6,9 ft) long



**Guide rail F 310**  
3,1 m (10,2 ft) long



**TCT saw blade**  
160 x 1.2/1.8 x 20 mm (6 5/16 in.), AT, 16 teeth,  
for rip cuts in wood



**Guide pocket F 160**  
for guide rails up to 1,6 m



**Guide pocket set**  
F 80 + F 160 + F-WA + F-VS + 2 x F-SZ 180MM  
+ Guide pocket



**Non-slip profile F-HP 6,8 M**  
6.8 m (22.3 ft.) long



**Flexible hose FXS-L**  
up to 3,2 m (10.6 ft) long



**Guide track ML**  
max. cutting length 770 mm (30 5/16 in.)



**Guide rail F 80**  
0,8 m (2,6 ft) long



**Carrying case TK**  
785x320x285 mm, with insert



**Mushroom-shaped handle**  
as additional machine guide, with fixing screw



**TCT saw blade**  
160 x 1.2/1.8 x 20 mm (6 5/16 in.)/ AT, 32 teeth,  
for fine cuts in wood



**Connecting piece F-VS**  
for joining two guide rails



**Angle fence F-WA**



**Guide pocket set**  
2 x F 160 + F-VS + 2 x F-SZ 180 MM + 1 guide  
pocket



**End cap F-EK**  
2 pieces



**Splinter guard F-SS 3,4M**  
3.4 m (11.2 ft.) long



**Parallel guide fence**  
with wing screws

## contact

---

MAFELL AG

Beffendorfer Straße 4  
D-78727 Oberndorf / Neckar  
Germany

Tel.: +49 7423 / 812-114  
Fax: +49 7423 812-102  
Email: [export@mafell.de](mailto:export@mafell.de)