

Cordless Cross-cutting System KSS 400 / 36 V in carrying case up to maschine no.1104904

ref.no.: 918401_1104904

EAN:

▶ Attention: Just spare parts are still available



Technical data

Cutting depth at 0° with guide track	0 - 1 15/16 Inch
Cutting depth 45° with track	0 - 1 1/2 Inch
Cutting depth at 0° without guide track	0 - 2 13/16 Inch
Tilt range	0 - 45 °
Cutting length	15 3/4 Inch
Angle cuts	-60 - +60 °
Nominal No. of strokes – no load	3800 1/min
Nominal voltage	36 V
Weight with guide rail	13.9 lbs
Battery	36 V, 94 Wh, Li-ion

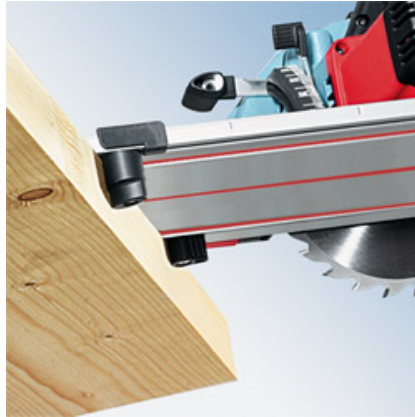
Delivery specification

- 1 TCT saw blade 160 x 1.2/1.8 x 20 mm (6 5/16 in.)/ 32 teeth, for fine cuts in wood; Ref. 092552
- 2 Battery PowerTank 36 B 94, 36 V, 94 Wh, Li-Ion; Ref. No. 094400
- 1 APS 36 Power-Station; Ref. 094408
- 1 Hose connector for chip extraction; Ref. No. 200042
- 1 Parallel guide fence; Ref. No. 201436
- 1 Guide track 400
- 1 Allen key 5 mm; Ref. No. 093034

examples for usage



The highly graduated scale permits very precise angle setting.



The smart stop and adjustable fence allow the saw to be used for angle cuts from 0° to 60° in either direction.



The KSS 400 / 36 V can be detached quickly and easily from the guide track for operation with an existing guide track.



The handy KSS 400 / 36 V is highly suitable for working on site, because it offers full freedom from the mains power supply and extension leads.

Applications

- ▶ Cross cuts with guide
- ▶ Rip cuts and cross-cutting
- ▶ Plunge cuts and recesses
- ▶ Compatible materials include board materials, doors, worktops, parquet and laminate flooring, cladding

Advantages

- ▶ The cross-cutting system with the latest 36 V lithium-ion technology offers unprecedented flexibility and unrestricted use with full freedom from the mains power supply.
- ▶ The quick-release catch enables you to detach the machine from the rail in a single, quick action. The saw can then be used as a separate portable circular unit with all the functionality of the MAFELL KSP series.
- ▶ The saw is compatible with the MAFELL special accessories for the corresponding mainspowered models (e.g. saw blades).

Description

Forget everything you know about portable circular saws!

Its novel feature is the unique rail that not only guides the portable circular saw, but is also connected to it to form a single unit: the KSS 400 / 36 V cross-cutting system.

It's clearly a cut above the rest. The KSS 400 / 36 V cross-cutting system enables you to saw in a standing position and without a rest, with angular precision and with only one hand on the machine. Its handling is unbeatable: thanks to magnesium die-cast components, the entire system weighs only 6.3 kg (13.6 lbs).

Once the cut has been executed, the saw automatically returns to the starting position. The maximum cutting length, exploiting the full cutting depth, is 400 mm (15 3/4 in.).

The pivot point of the KSS 400 / 36 V is directly aligned with the rubber lip, so that only one marking pointer is required irrespective of the angle setting, with or without a rail. The rubber lip is embedded in the rail profile and can be changed quickly and simply as required.

Accessories / Tools



Lever clamp F-SZ 180MM
2 pieces, for fixing guide rail to workpiece



Guide rail F 80
0,8 m (2,6 ft) long



Guide rail F 160
1,6 m (5,2 ft) long



Guide rail F 210
2,1 m (6,9 ft) long



TCT saw blade
160 x 1.1/1.6 x 20 mm (6 5/16 in.), FT/CFT, 16 teeth, for universal use with wood, Battery ideal



Connecting piece F-VS
for joining two guide rails



TCT saw blade
160 x 1.2/1.8 x 20 mm (6 5/16 in.), AT, 16 teeth, for rip cuts in wood



Guide pocket F 160
for guide rails up to 1,6 m



Guide pocket set
F 80 + F 160 + F-WA + F-VS + 2 x F-SZ 180MM + Guide pocket



Non-slip profile F-HP 6,8 M
6.8 m (22.3 ft.) long



Parallel guide fence
with wing screws



Battery-PowerTank 36B 94
36 V, 94 Wh, Li-Ion



Guide rail F 110
1.1 m (3.6 ft) long



Mushroom-shaped handle
as additional machine guide, with fixing screw



TCT saw blade
160 x 1.2/1.8 x 20 mm (6 5/16 in.)/ AT, 32 teeth, for fine cuts in wood



Guide rail F 310
3,1 m (10,2 ft) long



TCT saw blade
160 x 1,2/1,8 x 20 mm (6 5/16 in.), AT, 24 teeth, for universal use in wood



Angle fence F-WA



Guide pocket set
2 x F 160 + F-VS + 2 x F-SZ 180 MM + 1 guide pocket



End cap F-EK
2 pieces



Splinter guard F-SS 3,4M
3.4 m (11.2 ft.) long



Guide track ML
max. cutting length 770 mm (30 5/16 in.)

contact

MAFELL AG

Beffendorfer Straße 4
D-78727 Oberndorf / Neckar
Germany

Tel.: +49 7423 / 812-114
Fax: +49 7423 812-102
Email: export@mafell.de