

Chain Mortiser LS 103/40 Ec complete with chain set 28 x 40 x 100 mm (1 1/8 x 1 9/16 x 3 15/16 in.) up to machine no. 1243643

ref.no.: 924201_1243643

EAN:

- ▶ boxed
- ▶ Attention: Just spare parts are still available



Technical data

Mortising depth	3 15/16 / 5 7/8 Inch
Nominal No. of strokes – no load	4050 1/min
Nominal power input	3.4 hp
Weight	19.2 lbs
Universal motor	230 V / 50 Hz

Delivery specification

- 1 Stop plate; Ref. No. 200954
- 1 Allen key 4 mm; Ref. No. 093074
- 1 Allen key 8 mm; Ref. No. 093070
- 1 Mains cable 10 m (32.8 ft); Ref. No. 087612

examples for usage



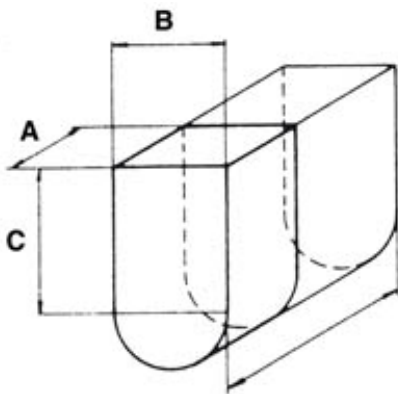
Tenon cuts of various sizes up to 100 mm (3 15/16 in.) with the LS 103 Ec.



The LS 103 Ec being operated horizontally.



The LS 103 Ec with the guide support stand FG 150 for mortising depths of up to 140 mm.



Dimensions of mortising chains
example: 28 x 40 x 100 mm; chain
width: 28 mm (1 1/8 in.); hole
width: 40 mm (1 9/16 in.);
mortising depth: 100 mm (3 15/16
in.)

Applications

- ▶ For cutting mortises
- ▶ Compatible materials include solid wood and glue-laminated timber

Advantages

- ▶ Ergonomic handle and switch arrangement – for safe, efficient, energy-saving work.
- ▶ Low machine weight – ideal for use on construction site.
- ▶ Extremely powerful motor – for high efficiency and considerable time-saving.

Description

Unique lightweight at only 8.7 kg (19.2 lbs.). Chain mortising without the drag.

The long guide plate has a large adjusting range and permits work on large timber workpieces.

The tensioning system of the LS 103 Ec allows fast chain replacement. Even retightening of the chain without removing the chain guard is quick and easy.

Optional accessories include the guide support stand for the LS 103 Ec, ideal for precise framing work, particularly indispensable for chain sets of 150 mm (5 7/8 in.)

With the LS 103 Ec and the appropriate slot mortising attachment SG 230, SG 400 or SG 500, you can execute slots of up to 500 mm (19 11/16 in.). This is not possible with any other machine on the market!

Accessories / Tools



Chain bars

28 x 40 x 100 mm (1 1/8 x 1 9/16 x 3 15/16 in.)



Chain bars

28 x 40 x 150 mm (1 1/8 x 1 9/16 x 5 7/8 in.)



Chain bars

28 x 35 x 100 mm (1 1/8 x 1 3/8 x 3 5/16 in.)



Chain bars

28 x 35 x 150 mm (1 1/8 x 1 3/8 x 5 7/8 in.)



Mortising chain

pitch 22.6, 28 x 35 x 100 mm (1 1/8 x 1 3/8 x 3 5/16 in.)



Mortising chain

pitch 22.6, 28 x 40 x 150 mm (1 1/8 x 1 9/16 x 5 7/8 in.)



Sprocket

pitch 22.6, 4 teeth, for set 28 x 35/40 x 100 mm/150 mm (1 1/8 x 1 9/16 x 3 15/16 / 5 7/8 in.)



Replacement chain links + rivets

1 bag, for 28 mm (1 1/8 in.) chain width, large pitch



Guide support stand FG 150

for mortising depth to 140 mm

contact

MAFELL AG

Beffendorfer Straße 4
D-78727 Oberndorf / Neckar
Germany

Tel.: +49 7423 / 812-114
Fax: +49 7423 812-102
Email: export@mafell.de