

## Chain MortiserLS 103 Ec without chain set - US 120 V up to machine no. 1160657

ref.no.: 924222\_1160657

EAN:

▶ Attention: Just spare parts are still available



### Technical data

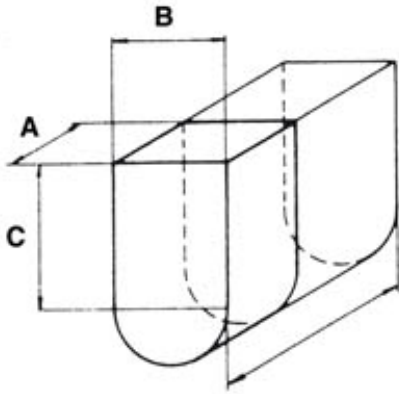
Mortising depth with chain sets 100 mm	3 15/16 Inch
Mortising depth with chain sets 150 mm	5 7/8 Inch
Nominal No. of strokes – no load	4050 1/min
Nominal power input	3.4 hp
Weight	19.2 lbs
Universal motor	120 V

### Delivery specification

---

- 1 Stop plate; Ref. No. 200954
- 1 Allen key 4 mm; Ref. No. 093074
- 1 Allen key 8 mm; Ref. No. 093070

## examples for usage



Dimensions of mortising chains  
example: 28 x 40 x 100 mm; chain  
width: 28 mm (1 1/8 in.); hole  
width: 40 mm (1 9/16 in.);  
mortising depth: 100 mm (3 15/16  
in.)



Tenon cuts of various sizes up to  
100 mm (3 15/16 in.) with the LS  
103 Ec.



The LS 103 Ec being operated  
horizontally.



The LS 103 Ec with the guide  
support stand FG 150 for mortising  
depths of up to 140 mm.

## Applications

---

- ▶ For cutting mortises
- ▶ Compatible materials include solid wood and glue-laminated timber

## Advantages

---

- ▶ Ergonomic handle and switch arrangement – for safe, efficient, energy-saving work.
- ▶ Low machine weight – ideal for use on construction site.
- ▶ Extremely powerful motor – for high efficiency and considerable time-saving.

## Description

---

Unique lightweight at only 8.7 kg (19.2 lbs.). Chain mortising without the drag.

The long guide plate has a large adjusting range and permits work on large timber workpieces.

The tensioning system of the LS 103 Ec allows fast chain replacement. Even retightening of the chain without removing the chain guard is quick and easy.

Optional accessories include the guide support stand for the LS 103 Ec, ideal for precise framing work, particularly indispensable for chain sets of 150 mm (5 7/8 in.)

With the LS 103 Ec and the appropriate slot mortising attachment SG 230, SG 400 or SG 500, you can execute slots of up to 500 mm (19 11/16 in.). This is not possible with any other machine on the market!

## Accessories / Tools

---



### Chain bars

28 x 40 x 100 mm (1 1/8 x 1 9/16 x 3 15/16 in.)



### Chain bars

28 x 35 x 100 mm (1 1/8 x 1 3/8 x 3 5/16 in.)



### Chain bars

28 x 2" x 150 mm (1 1/8 x 2 x 5 7/8 in.)



### Mortising chain

pitch 22.6, 28 x 40 x 150 mm (1 1/8 x 1 9/16 x 5 7/8 in.)



### Mortising chain

28 x 2" x 150 mm (1 1/8 x 2 x 5 7/8 in.)



### Guide support stand FG 150

for mortising depth to 140 mm



### Chain bars

28 x 40 x 150 mm (1 1/8 x 1 9/16 x 5 7/8 in.)



### Chain bars

28 x 35 x 150 mm (1 1/8 x 1 3/8 x 5 7/8 in.)



### Mortising chain

pitch 22.6, 28 x 35 x 100 mm (1 1/8 x 1 3/8 x 3 5/16 in.)



### Sprocket

pitch 22.6, 4 teeth, for set 28 x 35/40 x 100 mm/150 mm (1 1/8 x 1 9/16 x 3 15/16 / 5 7/8 in.)



### Replacement chain links + rivets

1 bag, for 28 mm (1 1/8 in.) chain width, large pitch



### Chain bars

28 x 1 1/2" x 150 mm (1 1/8 x 1 1/2 x 5 7/8 in.)

## contact

---

MAFELL AG

Beffendorfer Straße 4  
D-78727 Oberndorf / Neckar  
Germany

Tel.: +49 7423 / 812-114  
Fax: +49 7423 812-102  
Email: [export@mafell.de](mailto:export@mafell.de)